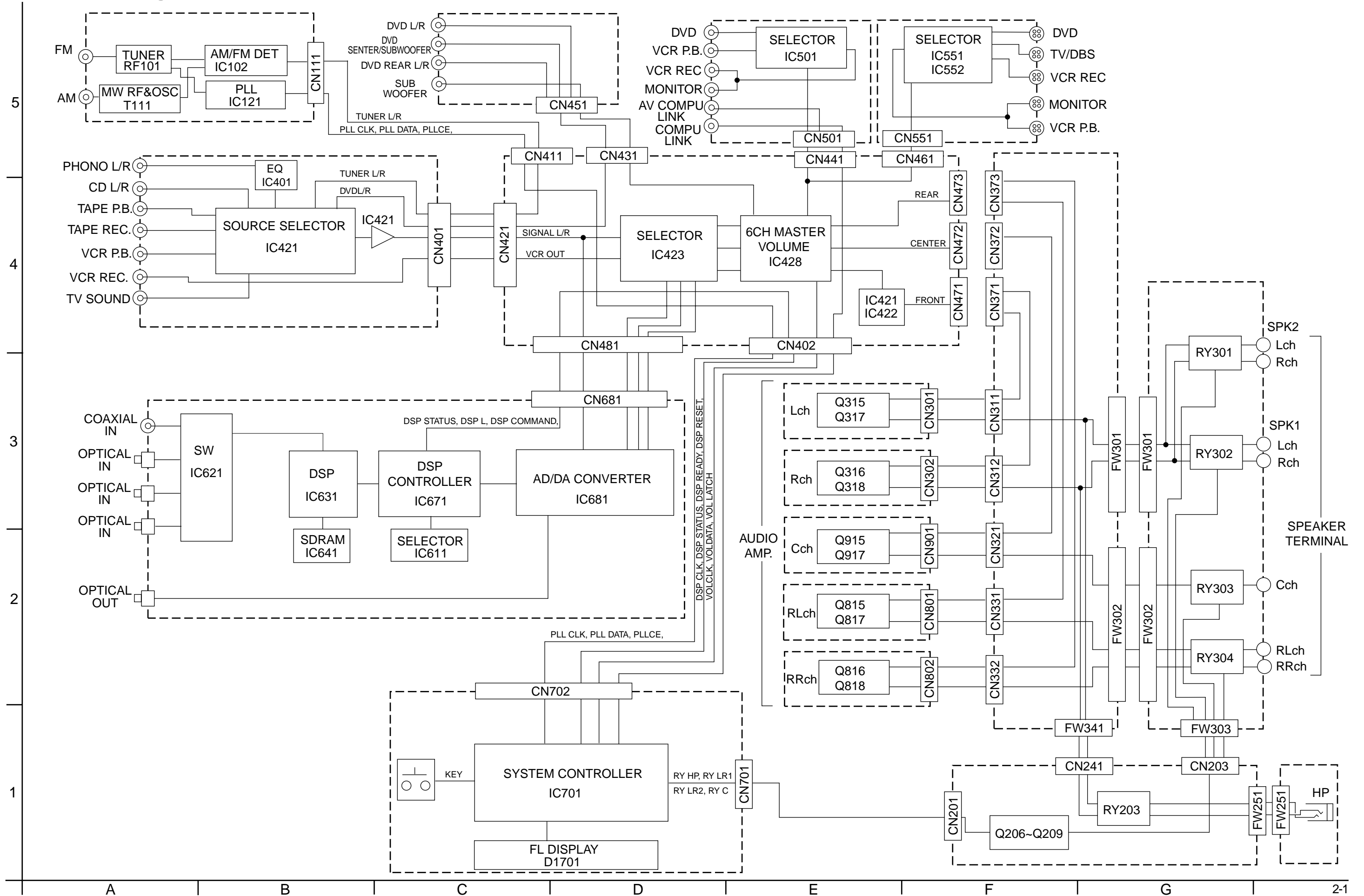
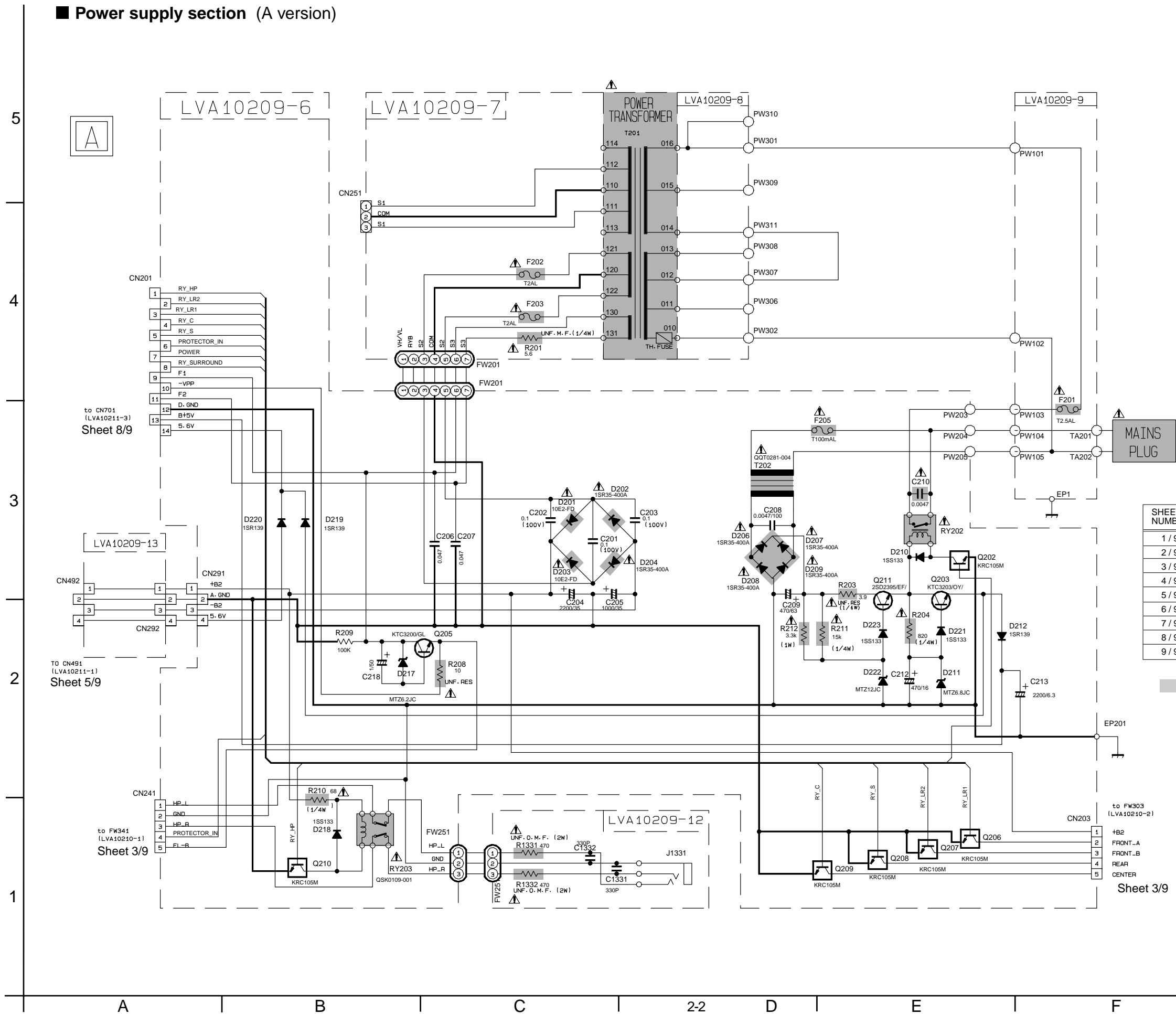


Block diagram



Standard schematic diagrams

■ Power supply section (A version)

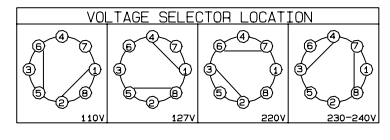
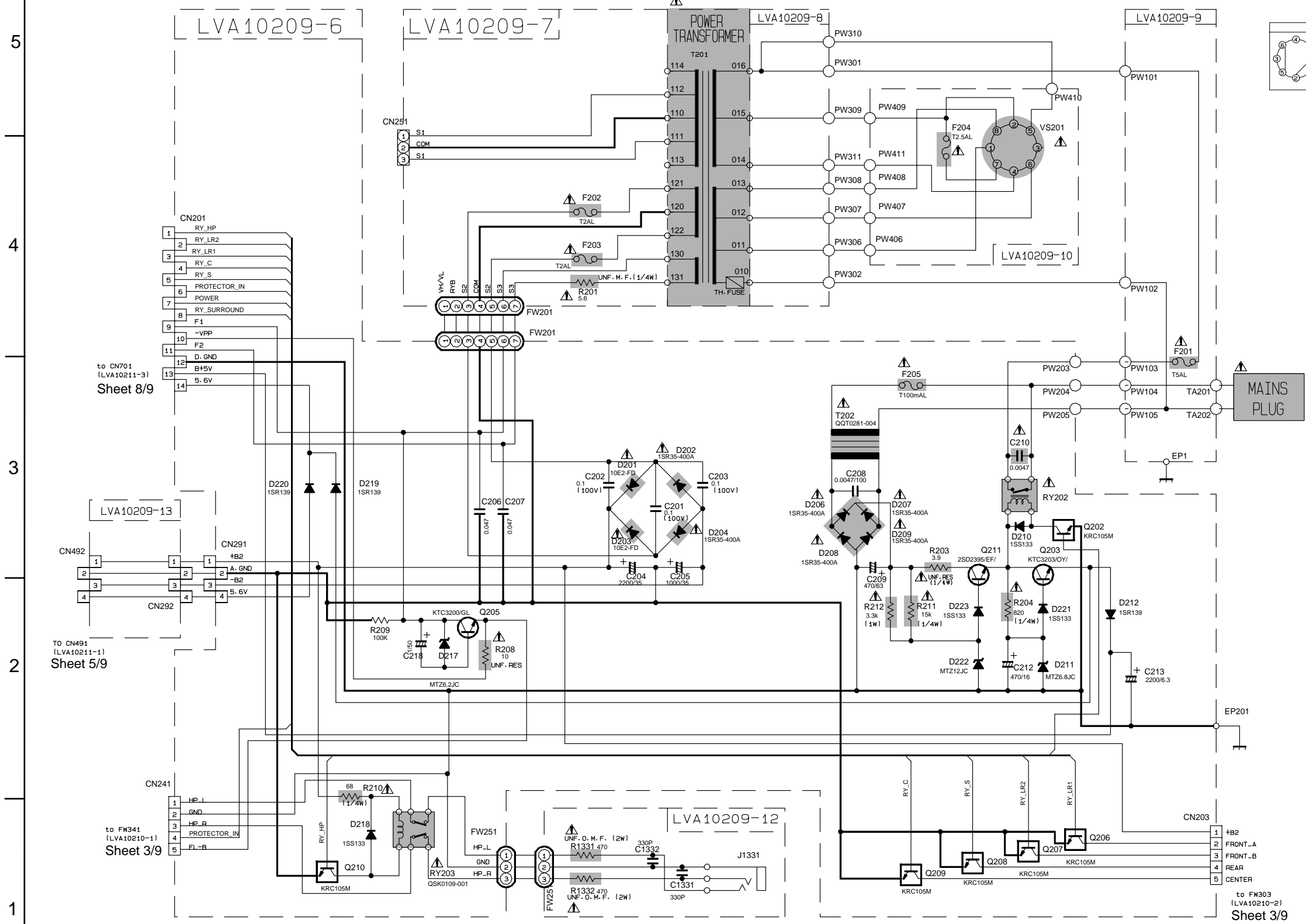


SHEET NUMBER	CIRCUIT DESCRIPTION
1 / 9	POWER SUPPLY (A version)
2 / 9	POWER SUPPLY (US/ UT version)
3 / 9	SPEAKER TERMINAL
4 / 9	AUDIO AMP
5 / 9	VOLUME / REGULATOR / SOURCE SELECT IC
6 / 9	AUDIO VIDEO SIGNAL INPUT TERMINAL
7 / 9	SURROUND IC / DIGITAL SIGNAL INPUT TERMINAL
8 / 9	USER CONTROL KEY / SYSTEM CONTROL LSI / FL DISPLAY
9 / 9	TUNER

Parts are safety assurance parts. When replacing those parts make sure to use the specified.

Power supply section (US/ UT version)

US/UN/UT/UJ



⚠ Parts are safety assurance parts. When replacing those parts make sure to use the specified.

Audio & Speaker terminal section

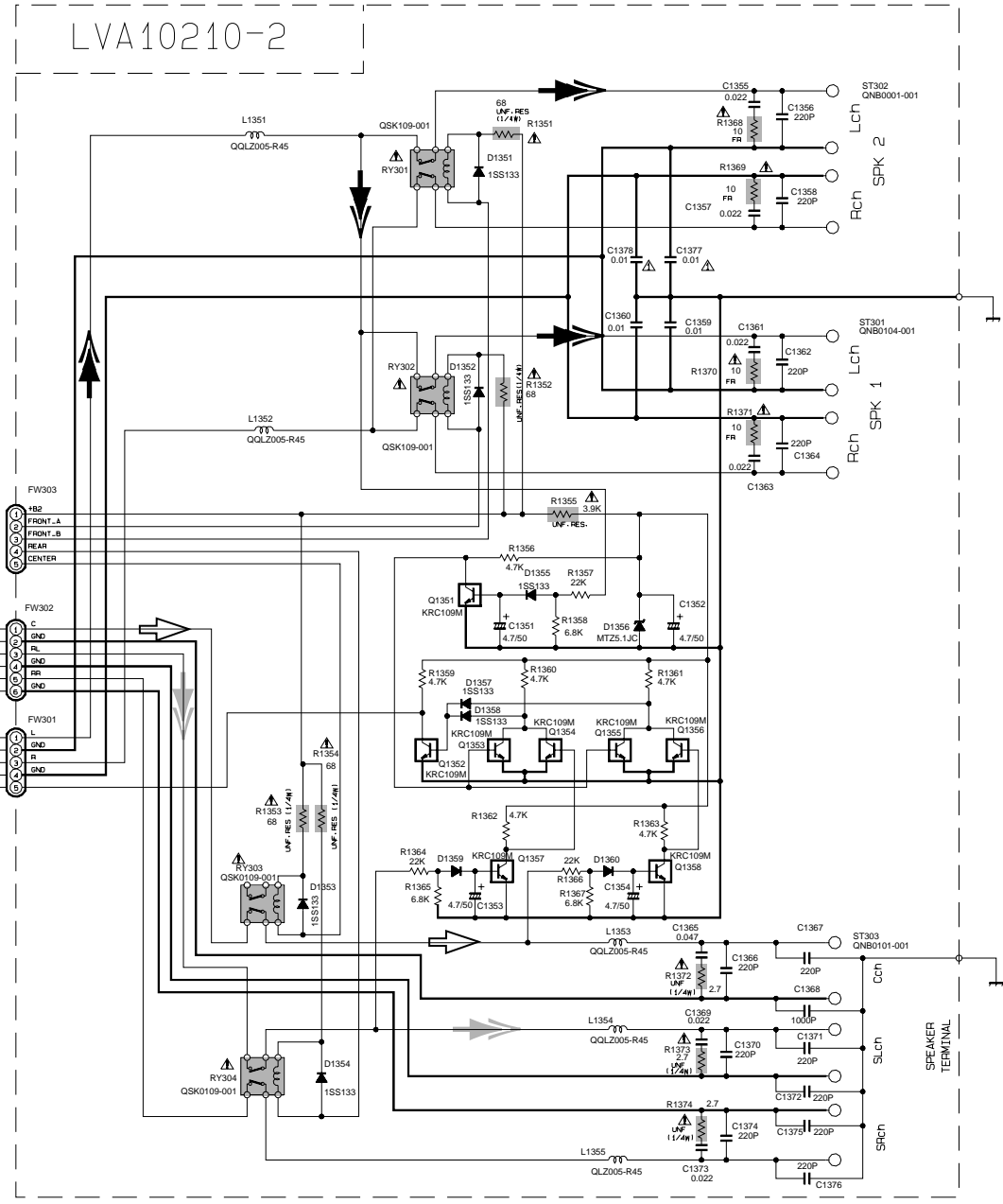
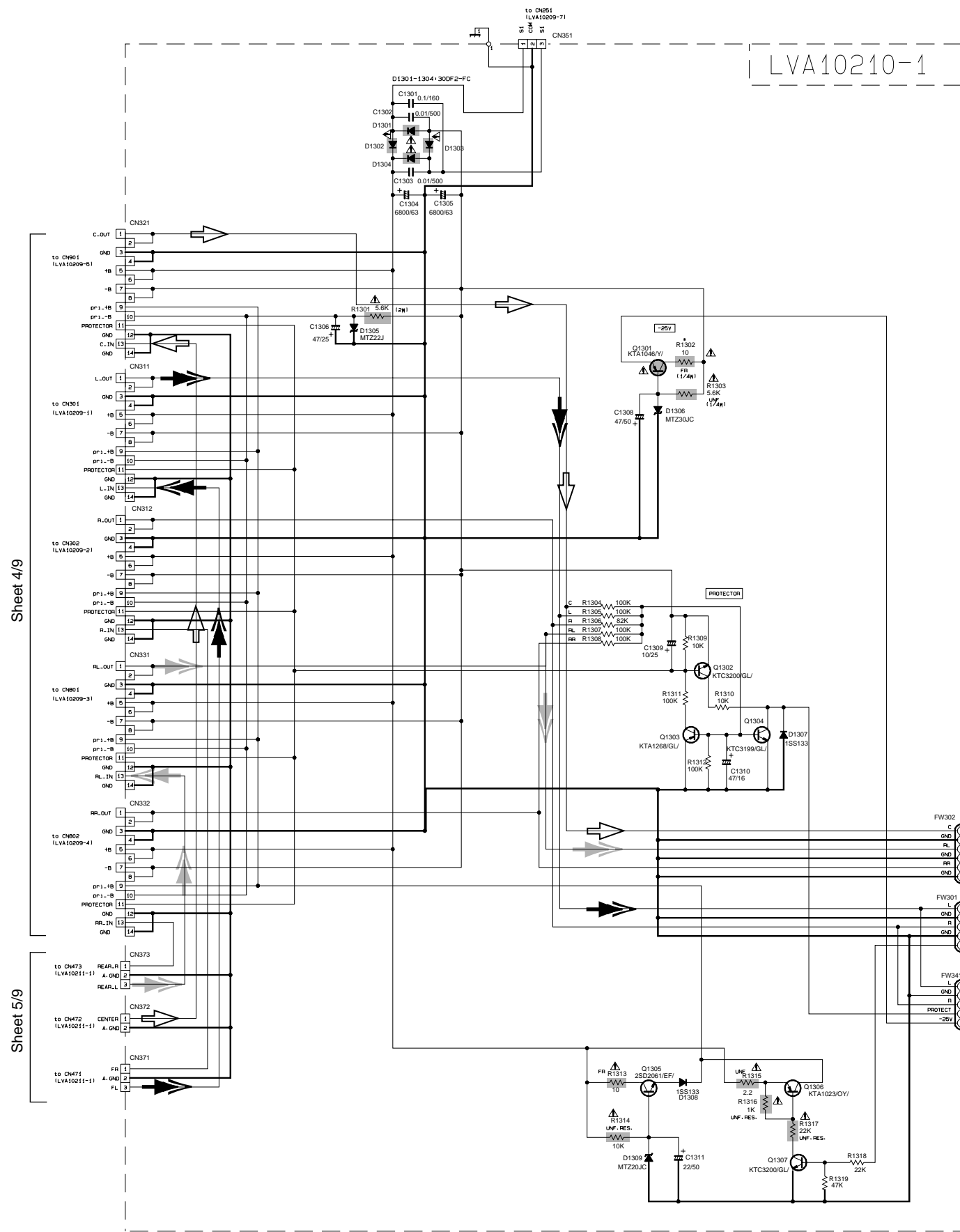
5

4

3

2

1



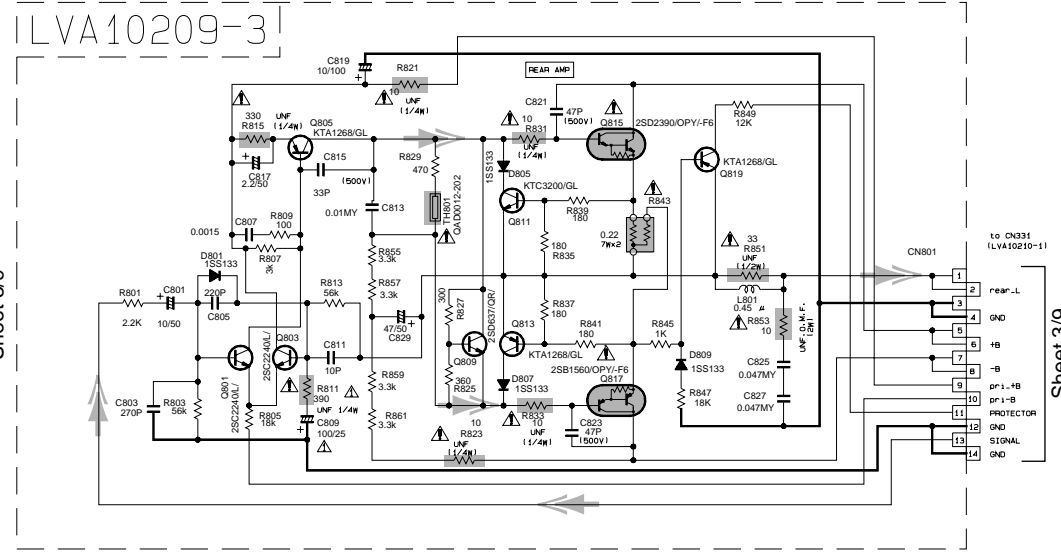
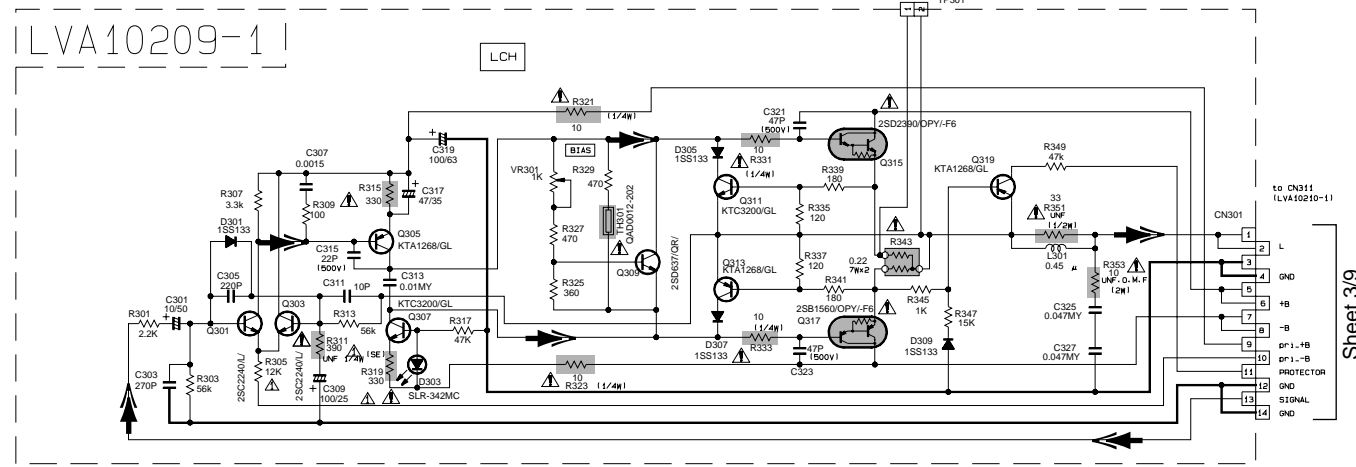
Sheet 1/9 (A version)
Sheet 2/9 (US/ UT version)

Sheet 1/9 (A version)
Sheet 2/9 (US/ UT version)

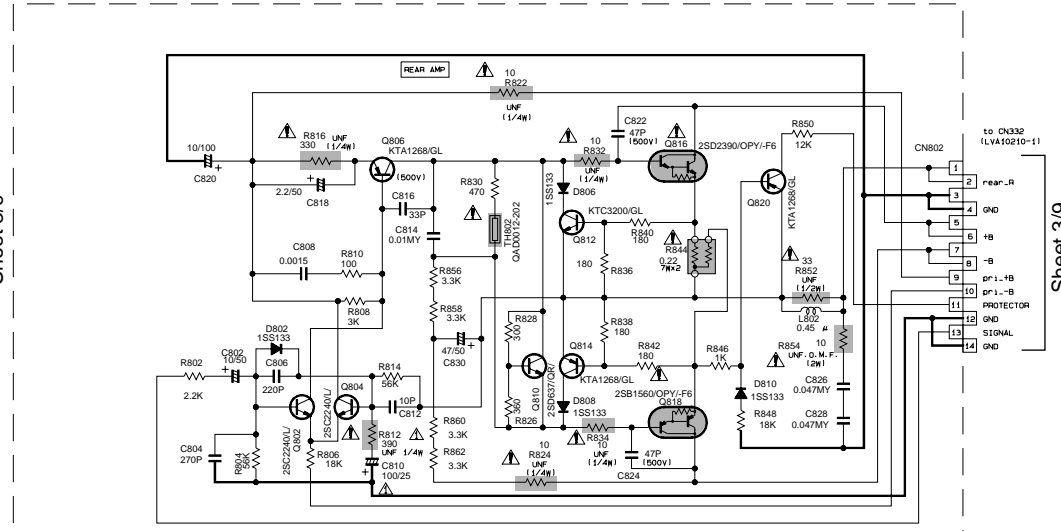
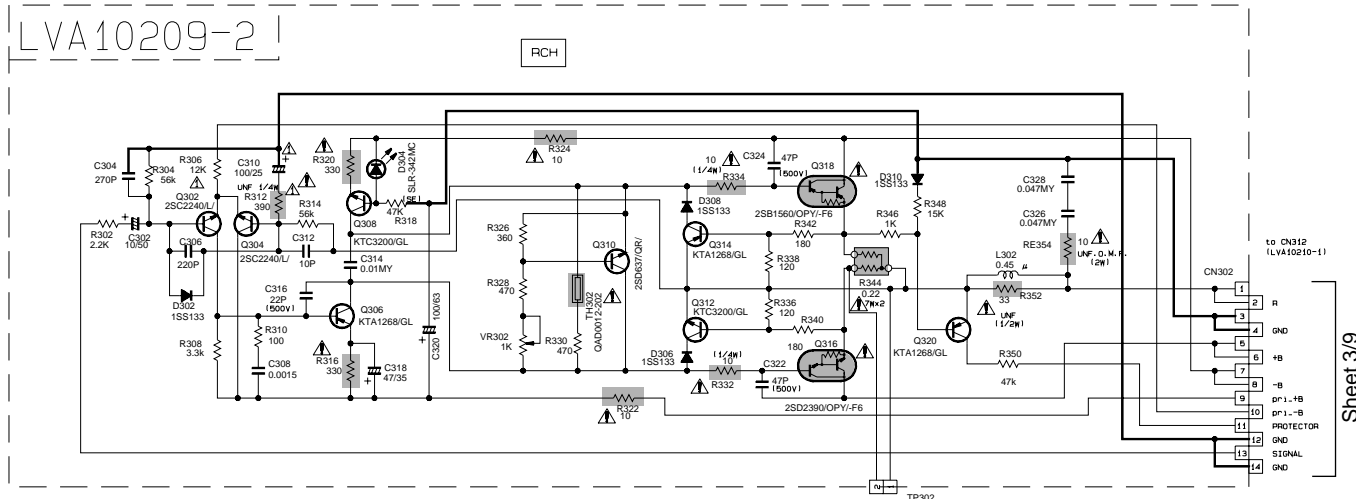
- ➡ SURROUND signal
- ➡ FRONT signal
- ➡ CENTER signal
- ⚠ Parts are safety assurance parts. When replacing those parts make sure to use the specified.

Audio amplifier section

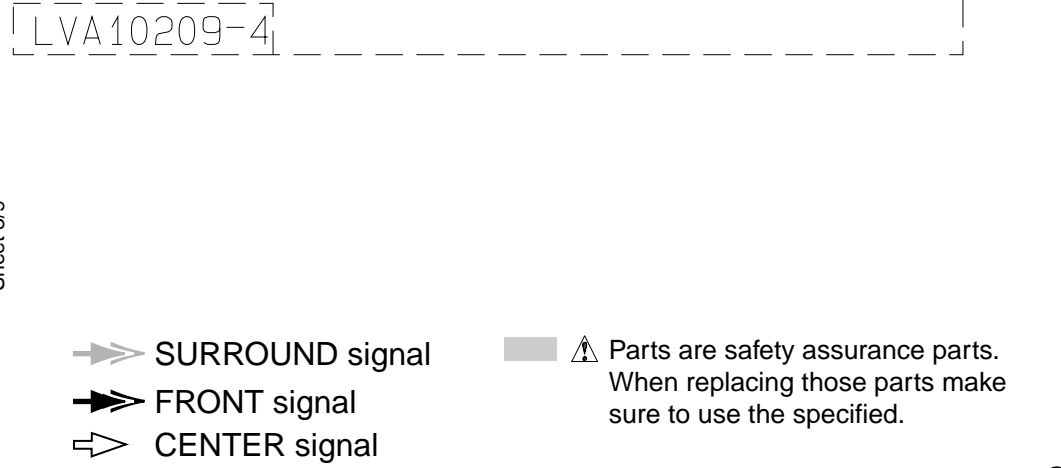
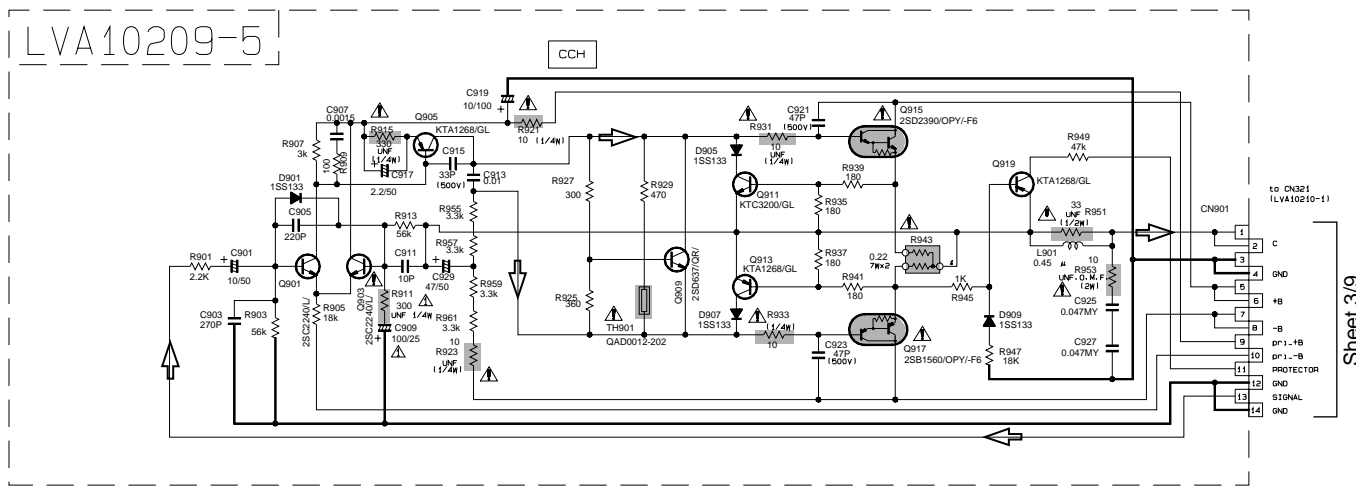
5



4



3

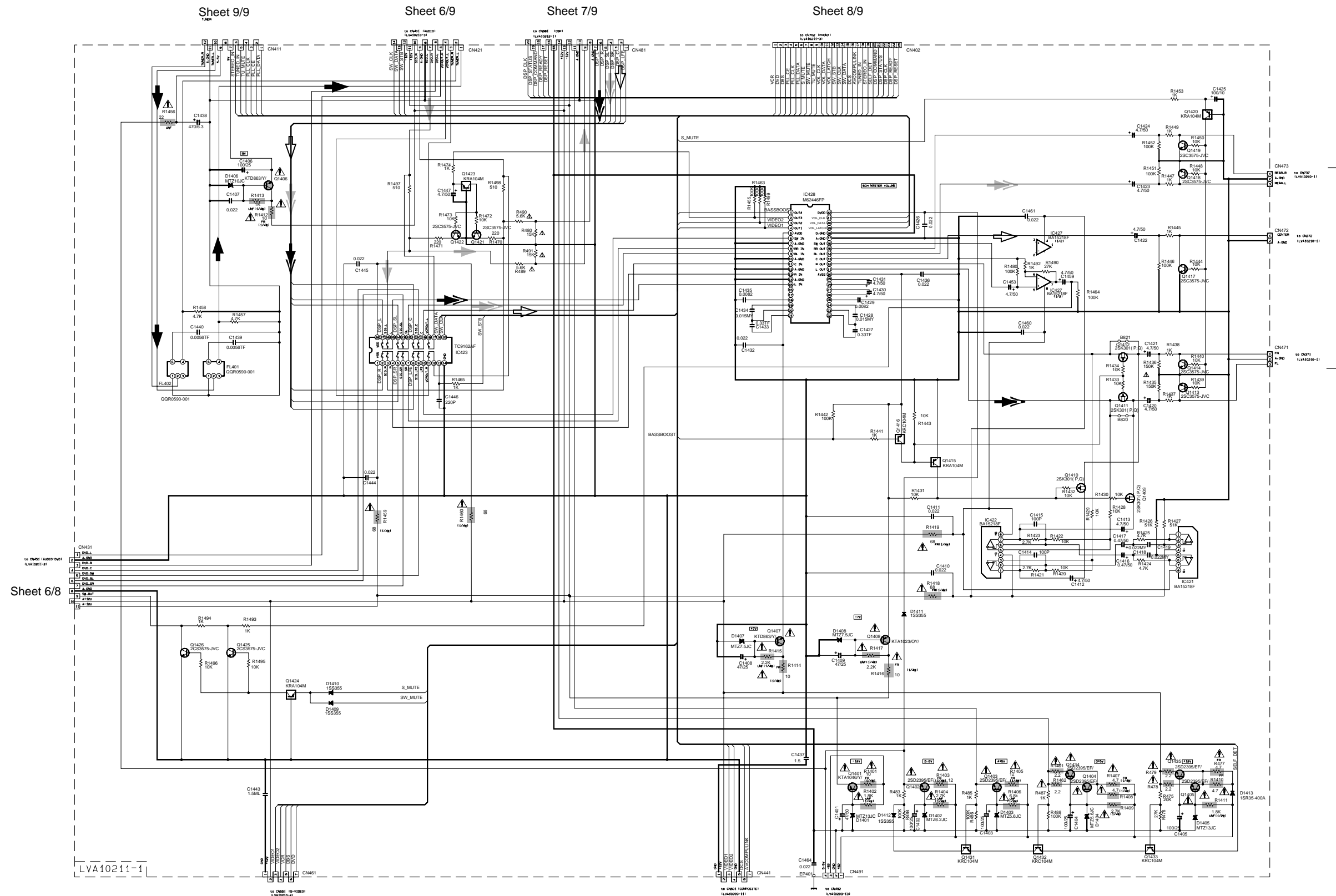


2

1

- ➔ SURROUND signal
- ➔ FRONT signal
- ➔ CENTER signal
- ⚠ Parts are safety assurance parts. When replacing those parts make sure to use the specified.

■ Main section



5
4
3
2
1

Sheet 3/9

Sheet 6/8

Sheet 6/9

Sheet 6/9

Sheet 1/9 (A version)
Sheet 2/9 (US/ UT version)

- ➔ AUDIO signal
- ➔ TUNER signal
- ➔ SURROUND signal
- ➔ FRONT signal
- ➔ CENTER signal

⚠ Parts are safety assurance parts.
When replacing those parts make sure to use the specified.

A B C 2-6 D E F G H

DSP section

5

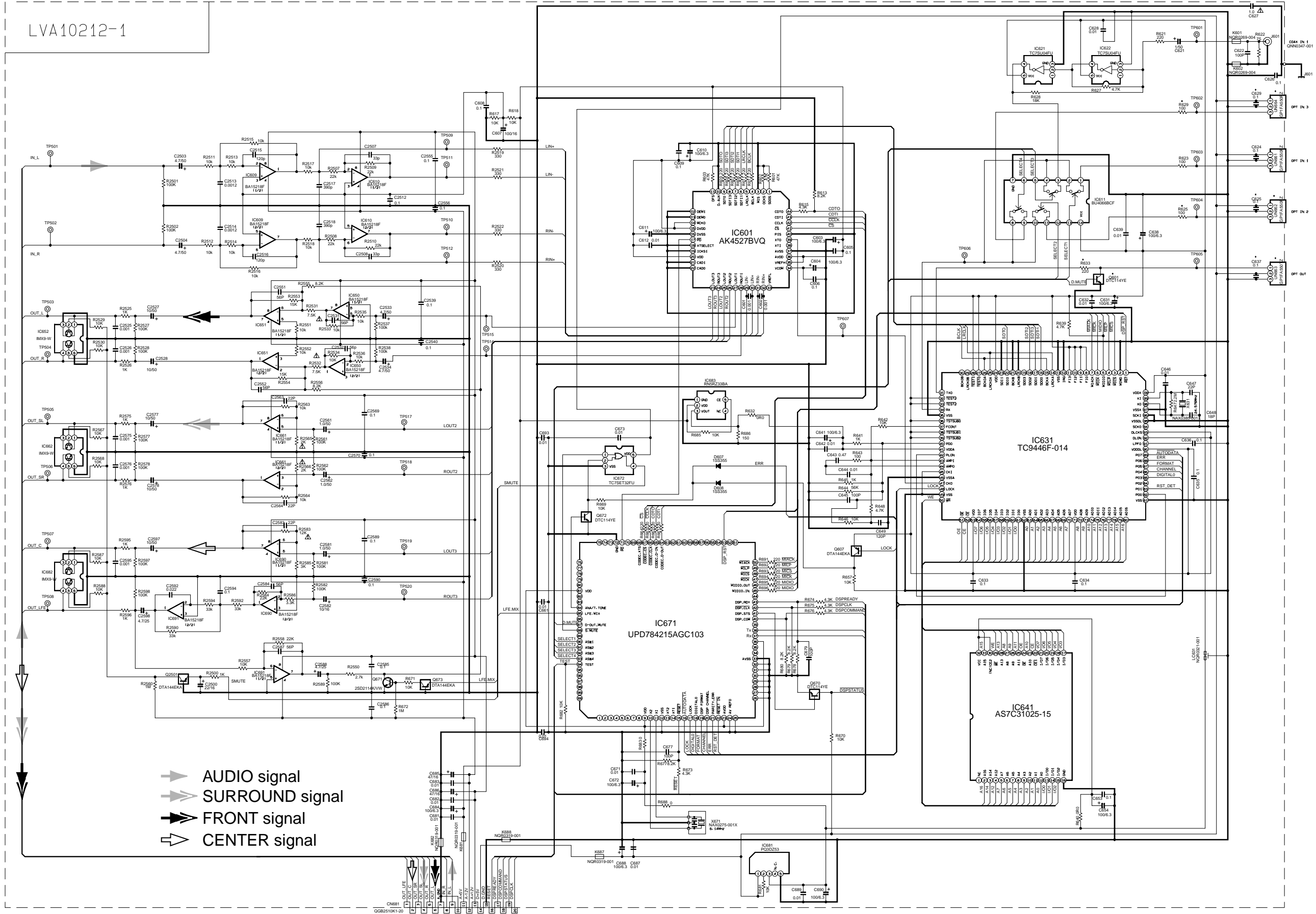
4

3

2

1

LVA10212-1



- ➔ AUDIO signal
- ➔ SURROUND signal
- ➔ FRONT signal
- ➔ CENTER signal

System control & FL displaying section

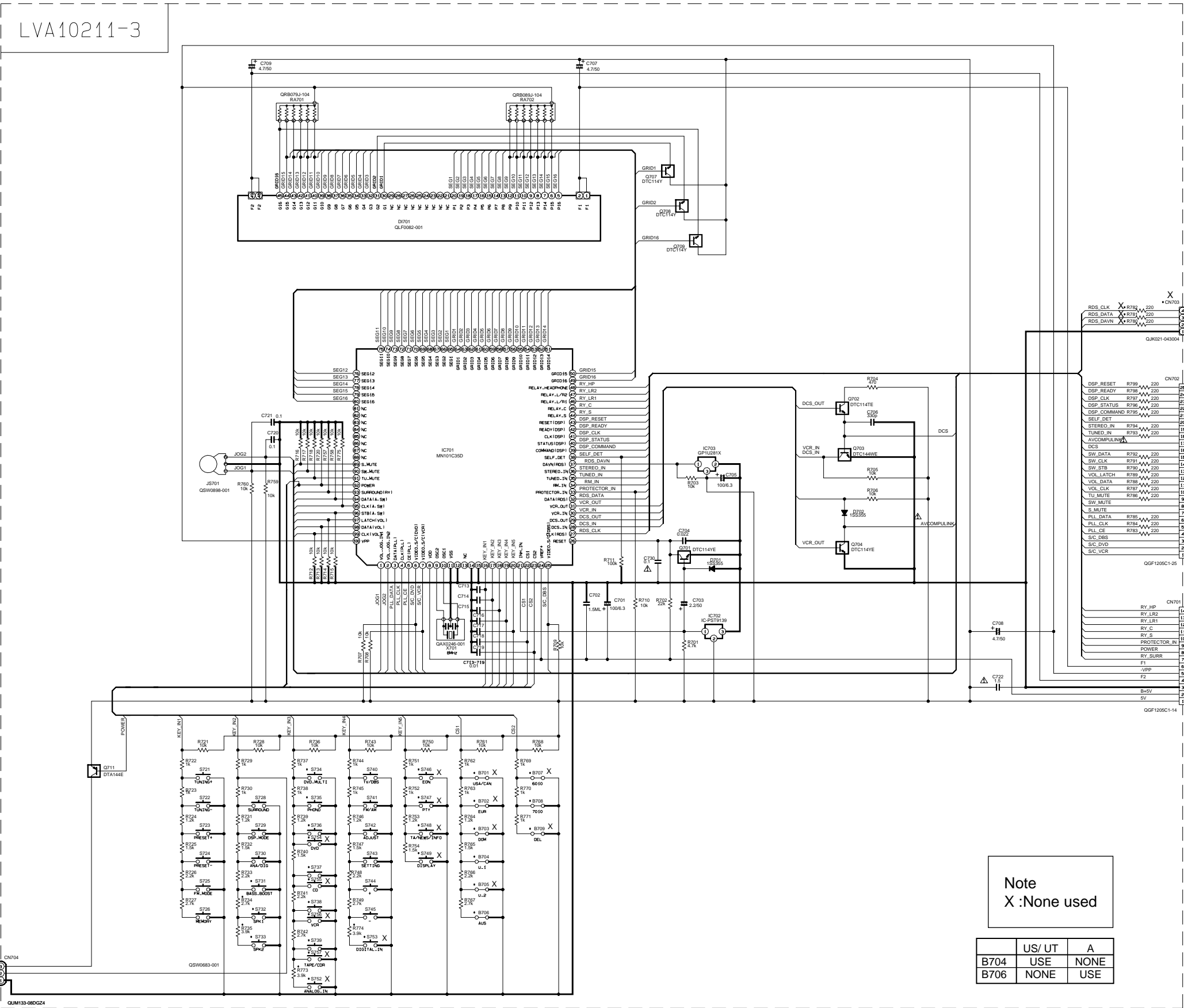
5

4

3

2

1



X
 • CN703
 RDS_CLK X R795 220
 RDS_DATA X R796 220
 RDS_DAVN X R797 220

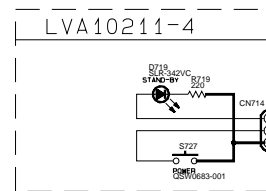
CN702
 DSP_RESET R798 220
 DSP_READY R799 220
 DSP_CLK R797 220
 DSP_STATUS R796 220
 DSP_COMMAND R795 220
 SELF_DET R794 220
 STEREO_IN R793 220
 TUNED_IN R792 220
 AVCOMPLN R791 220
 DCS R790 220
 SW_DATA R789 220
 SW_CLK R788 220
 SW_STB R787 220
 VOL_LATCH R786 220
 VOL_DATA R785 220
 VOL_CLK R784 220
 TU_MUTE R783 220
 S_MUTE R782 220
 PLL_DATA R781 220
 PLL_CLK R780 220
 PLL_CE R779 220
 S/C_DBS R778 220
 S/C_DVD R777 220
 S/C_VCR R776 220

Sheet 5/9

Sheet 1/9 (A version)
 Sheet 2/9 (US/ UT version)

Note
 X :None used

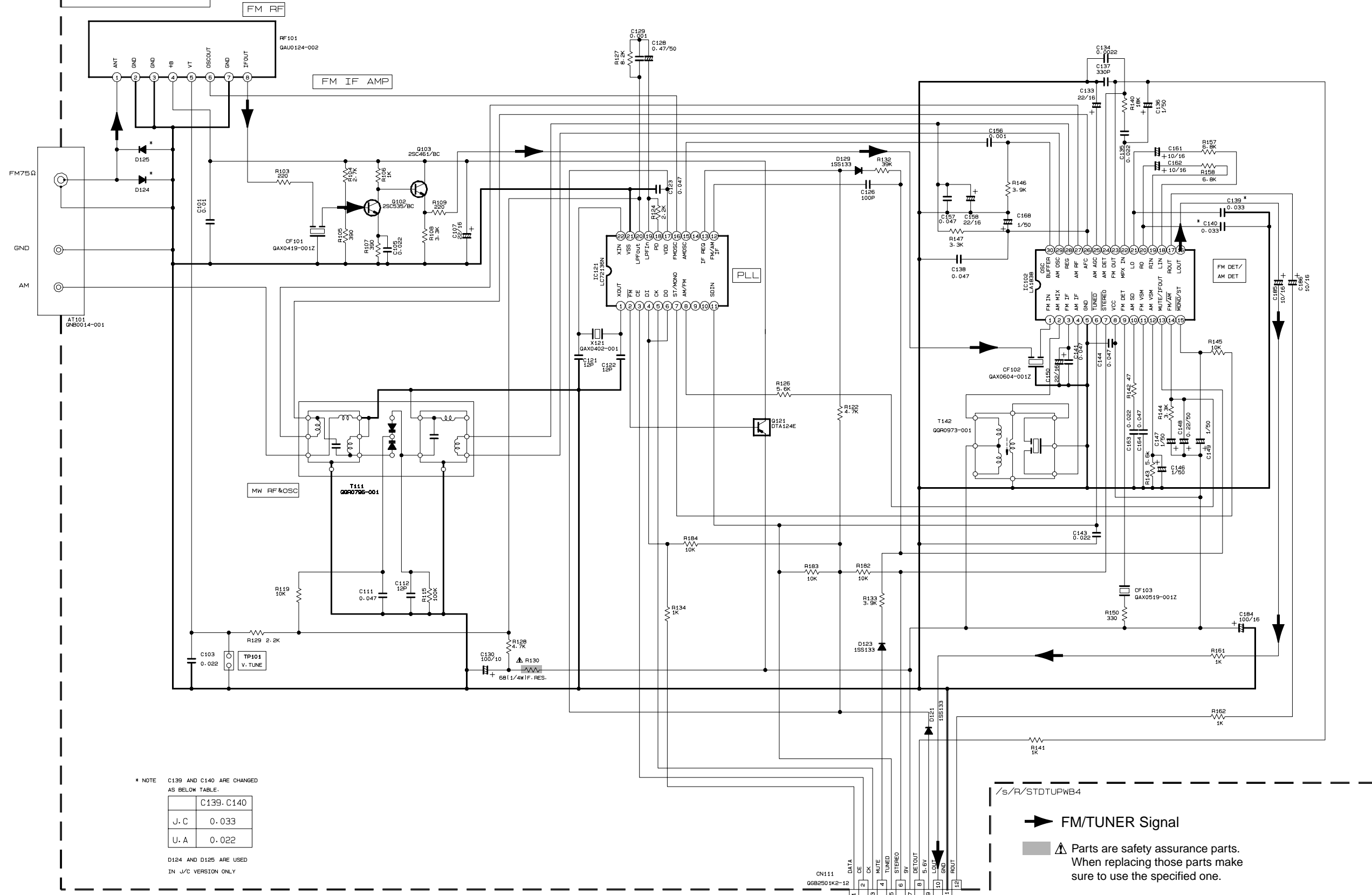
B704	US/ UT	A
B706	USE	NONE
	NONE	USE



■ Tuner section

FOR J, C, U, A

LVA10009



* NOTE C139 AND C140 ARE CHANGED AS BELOW TABLE.

	C139-C140
J, C	0.033
U, A	0.022

D124 AND D125 ARE USED IN J/C VERSION ONLY

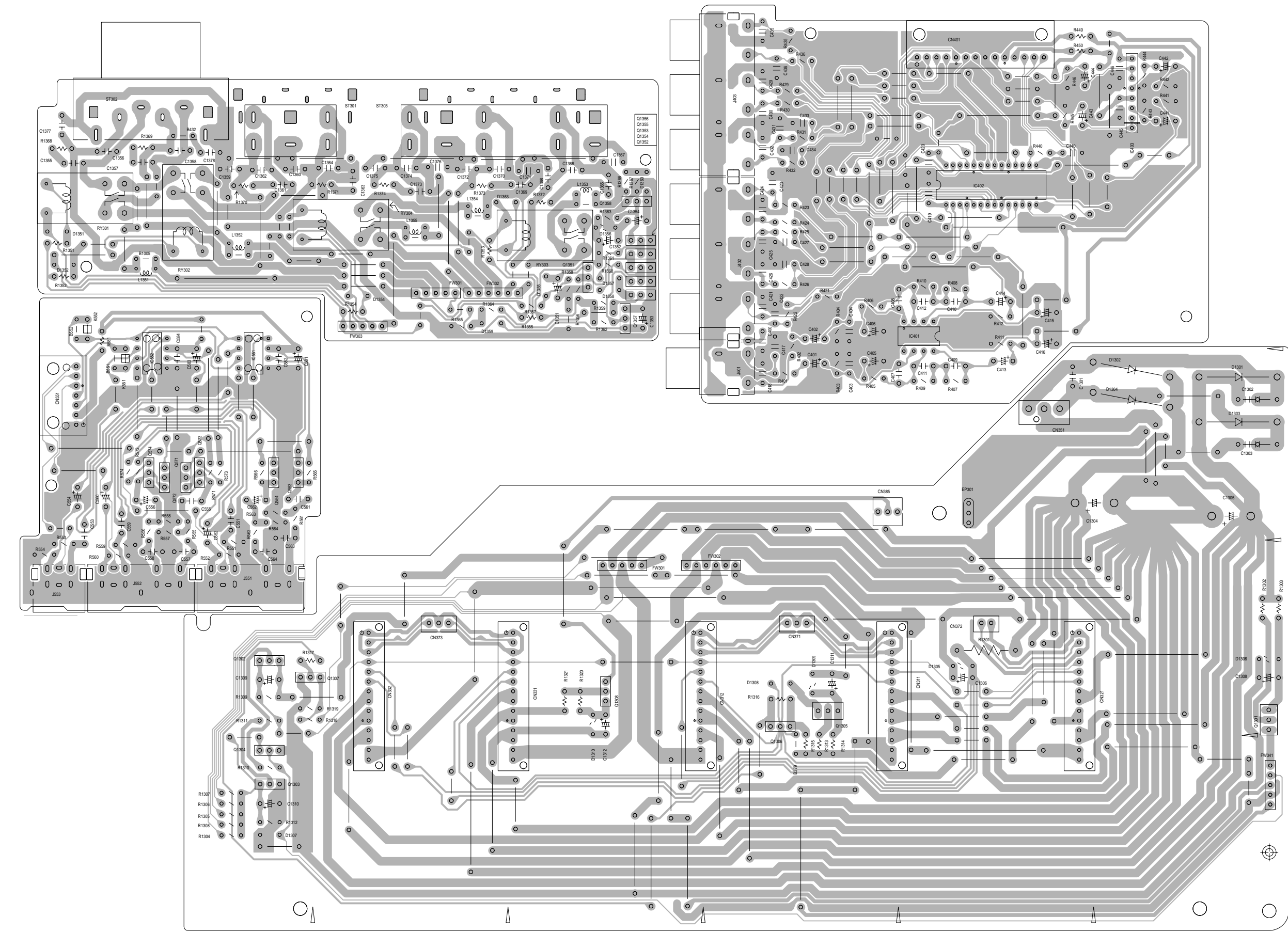
➔ FM/TUNER Signal

⚠ Parts are safety assurance parts. When replacing those parts make sure to use the specified one.

Printed circuit boards

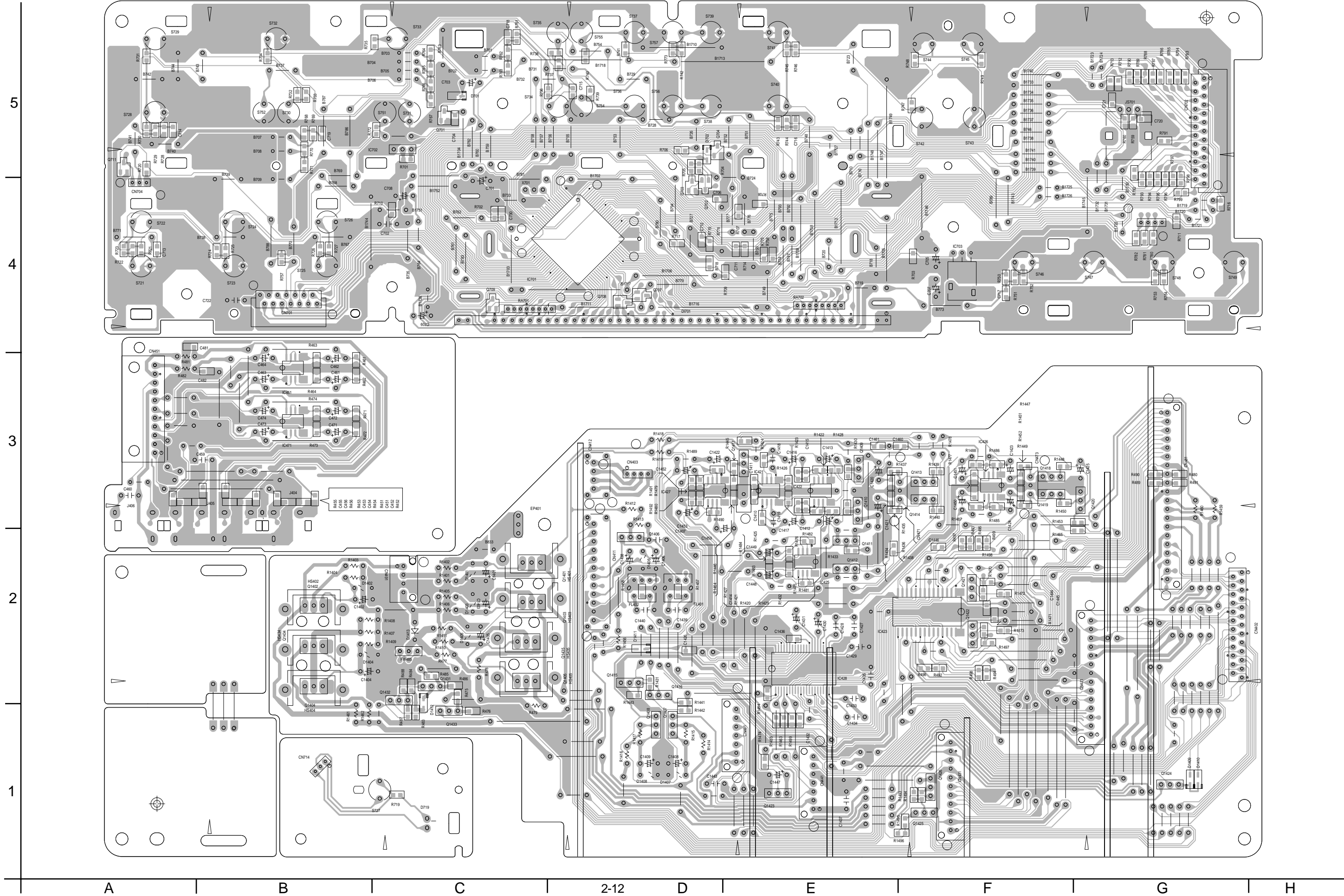
■ Main board

5
4
3
2
1



A B C D E F G

System control & Audio board



Power amp. board

